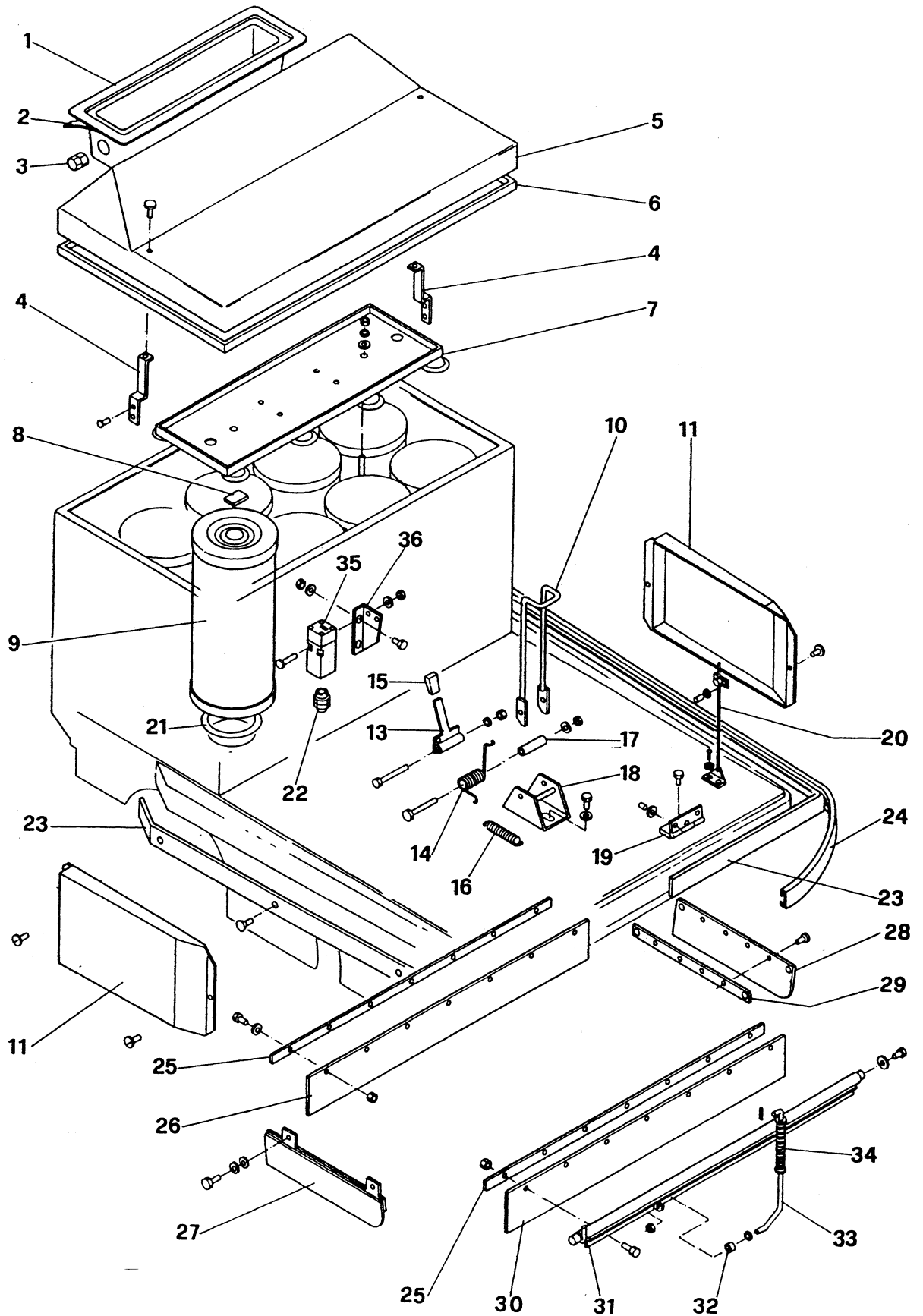


| Ref. N° | Part. N° | Description | Briggs & Stratton Qty | Electric Qty |
|---------|----------|---------------------------|-----------------------|--------------|
| 1 | 1000662 | Handle | 2 | 2 |
| 2 | 1000285 | Lever | 1 | 1 |
| 3 | 1000133 | Lever | 1 | 1 |
| 4 | 1000882 | Decal | 1 | 1 |
| 5 | 1000023 | Bracket - Lever Guide | 1 | 1 |
| 6 | 1001027 | Seal | 2 | 2 |
| 7 | 1000618 | Frame - Grill | 1 | 1 |
| 8 | 1000033 | Grill - Expanded Metal | 1 | 1 |
| 9 | 1000866 | Edging - Grill Mount | R | R |
| 10 | 1001010 | Wire Rope | 1 | 1 |
| 11 | 1000102 | Safety Key | 1 | 1 |
| 12 | 1000103 | Plate - Safety Key | 1 | 1 |
| 13 | 1000724 | Spacer - Safety Key | 1 | 1 |
| 14 | 1000673 | Knob | 1 | 1 |
| 15* | 1000777 | Cover - Grey | 1 | - |
| 16 | 1001015 | Keeper - Overcenter Latch | 1 | 1 |
| 17 | 1001014 | Latch - Over Center | 1 | 1 |
| 18 | 1000365 | Handle - Hopper | 1 | 1 |
| 19 | 1001044 | End Cap | 2 | 2 |
| 20 | 1000844 | Wheel | 2 | 2 |
| 21 | 1000281 | Hopper | 1 | 1 |
| 22 | 1000733 | Seal - Hopper Rim | 1 | 1 |
| 23 | 1000284 | Arm - Lever Side Broom | 1 | 1 |
| 24* | 1001022 | Clevis | 2 | 2 |
| 25* | 1000527 | Pivot | 2 | 2 |
| 26 | 1000484 | Pivot | 1 | 1 |
| 27* | 1000140 | Mount - Pivot | 1 | 1 |
| 28 | 1000031 | Bracket - Pivot Mount | 1 | 1 |
| 29* | 1000407 | Pin - Pivot | 1 | 1 |
| 30 | 1000019 | Plate | 1 | 1 |
| 31 | 1000787 | Bearing | 2 | 2 |
| 32 | 1000392 | Spacer | 1 | 1 |
| 33* | 1000485 | Bushing - Locking | 1 | 1 |
| 34* | 1000292 | Right Support | 1 | 1 |
| 35 | 1000283 | Left Support | 1 | 1 |
| 36 | 1000582 | Pulley | 1 | 1 |
| 37 | 1000583 | Pulley | 1 | 1 |
| 38 | 1000804 | Support | 2 | 2 |
| 39 | 1000383 | Shaft | 1 | 1 |
| 40 | 1000130 | Arm - Side Broom RH | 1 | 1 |
| 41* | 1000139 | Arm - Side Broom LH | 1 | 1 |
| 42 | 1000925 | Drive -Curb Broom RH | 1 | 1 |
| 43* | 1000926 | Drive - Curb Broom LH | 1 | 1 |
| 44 | 1000817 | Belt | 1 | 1 |
| 46 | 1000586 | Pulley | 1 | 1 |
| 47 | 1000114 | Plate | 1 | 1 |
| 48 | 1000653 | Side Brush Flange | 1 | 1 |
| 49 | 1000913 | Side Brush | 1 | 1 |
| 51 | 1000617 | Cover - Belt RH | 1 | 1 |
| 52* | 1000652 | Cover - Belt LH | 1 | 1 |
| 53 | 1000030 | Screen | 1 | - |
| 54 | 1000814 | Belt | 1 | 1 |



| Ref. N° | Part. N° | Description | Briggs & Stratton Qty | Electric Qty |
|---------|----------|------------------------------|-----------------------|--------------|
| 1 | 1000619 | Box | 1 | 1 |
| 2 | 1001027 | Seal | 1 | 1 |
| 3 | 1001115 | Strain Relief | 1 | 1 |
| 4 | 1000016 | Bar | 2 | 2 |
| 5* | 1000778 | Cover - Grey | 1 | 1 |
| 6 | 1000734 | Gasket | 1 | 1 |
| 7 | 1000135 | Cover - Filter | 1 | 1 |
| 8 | 1000743 | Gasket | 8 | 8 |
| 9 | 1000915 | Filter - Dust Control | 8 | 8 |
| 10 | 1000256 | Safety Lever | 1 | 1 |
| 11 | 1000257 | Cover - Main Broom Access | 2 | 2 |
| 13 | 1000258 | Lever's Stop | 1 | 1 |
| 14 | 1000968 | Spring | 1 | 1 |
| 15 | 1000705 | Handle | 1 | 1 |
| 16 | 1000968 | Spring | 1 | 1 |
| 17 | 1000474 | Spacer | 1 | 1 |
| 18 | 1000255 | Bracket - Safety Lever | 1 | 1 |
| 19 | 1000373 | Hinge | 2 | 2 |
| 20 | 1001013 | Bar | 2 | 2 |
| 21 | 1000732 | Gasket - Filter | 8 | 8 |
| 22 | 1001094 | End Clamp | 1 | 1 |
| 23* | 1000178 | Bumper | 2 | 2 |
| 24* | 1000657 | Grey Bumper | 1 | 1 |
| 24* | 1000656 | Black Bumper | 1 | 1 |
| 25 | 1000017 | Strap - Rear Flap | 2 | 2 |
| 26 | 1000712 | Flap - Main Broom Rear | 1 | 1 |
| 27 | 1000727 | Flap - Main Broom Right Side | 1 | 1 |
| 28 | 1000713 | Flap - Main Broom LH | 1 | 1 |
| 29 | 1000018 | Strap - Flap LH | 1 | 1 |
| 30 | 1000726 | Flap - Main Broom Front | 1 | 1 |
| 31 | 1000282 | Pivot Bar - Front Flap | 1 | 1 |
| 32 | 1000674 | Rubber Ring | 1 | 1 |
| 33 | 1000131 | Bar - Front Flap | 1 | 1 |
| 34 | 1000945 | Spring | 1 | 1 |
| 35 | 1001157 | Switch - Safety Key | 1 | 1 |
| 36 | 1000100 | Support | 1 | 1 |

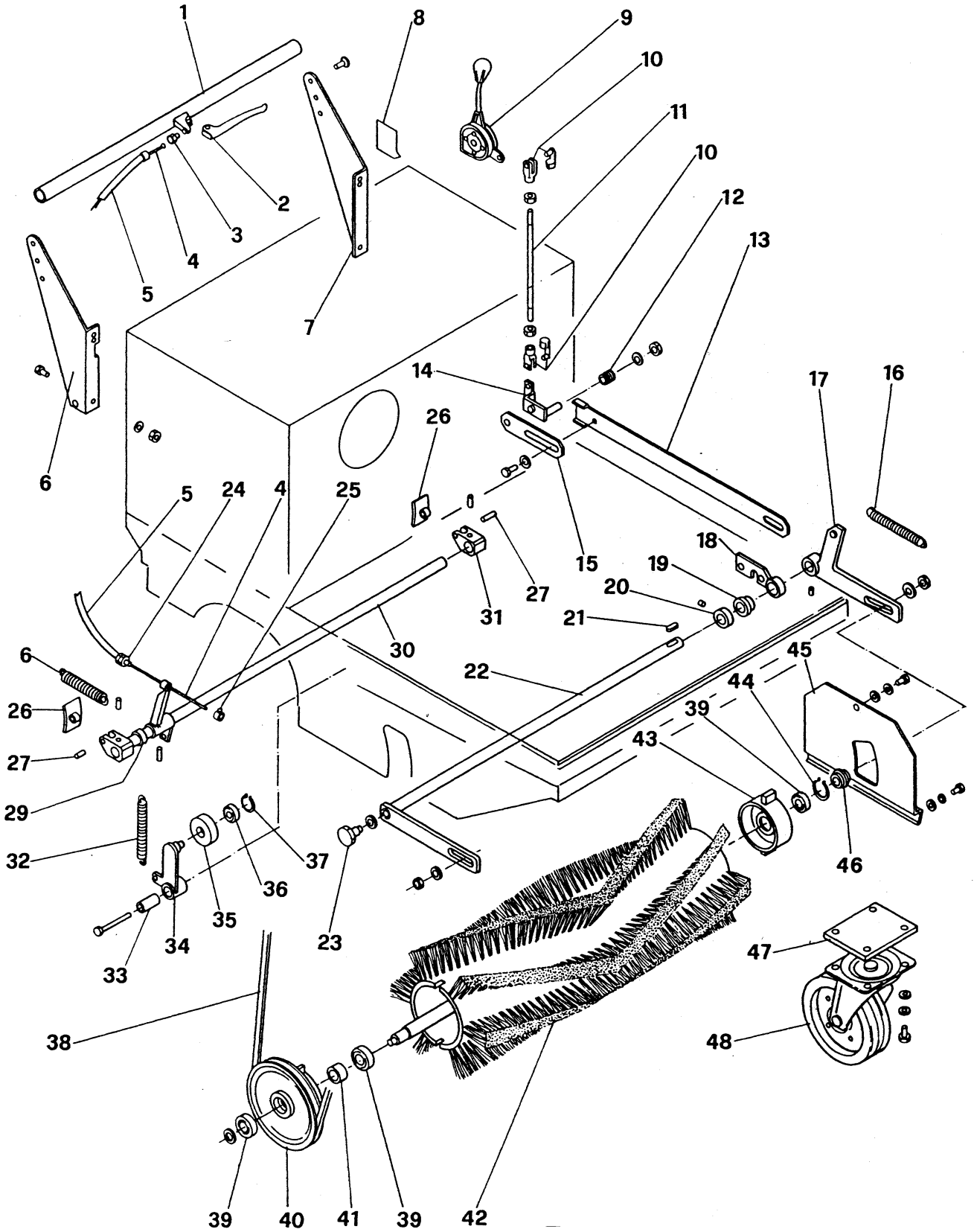
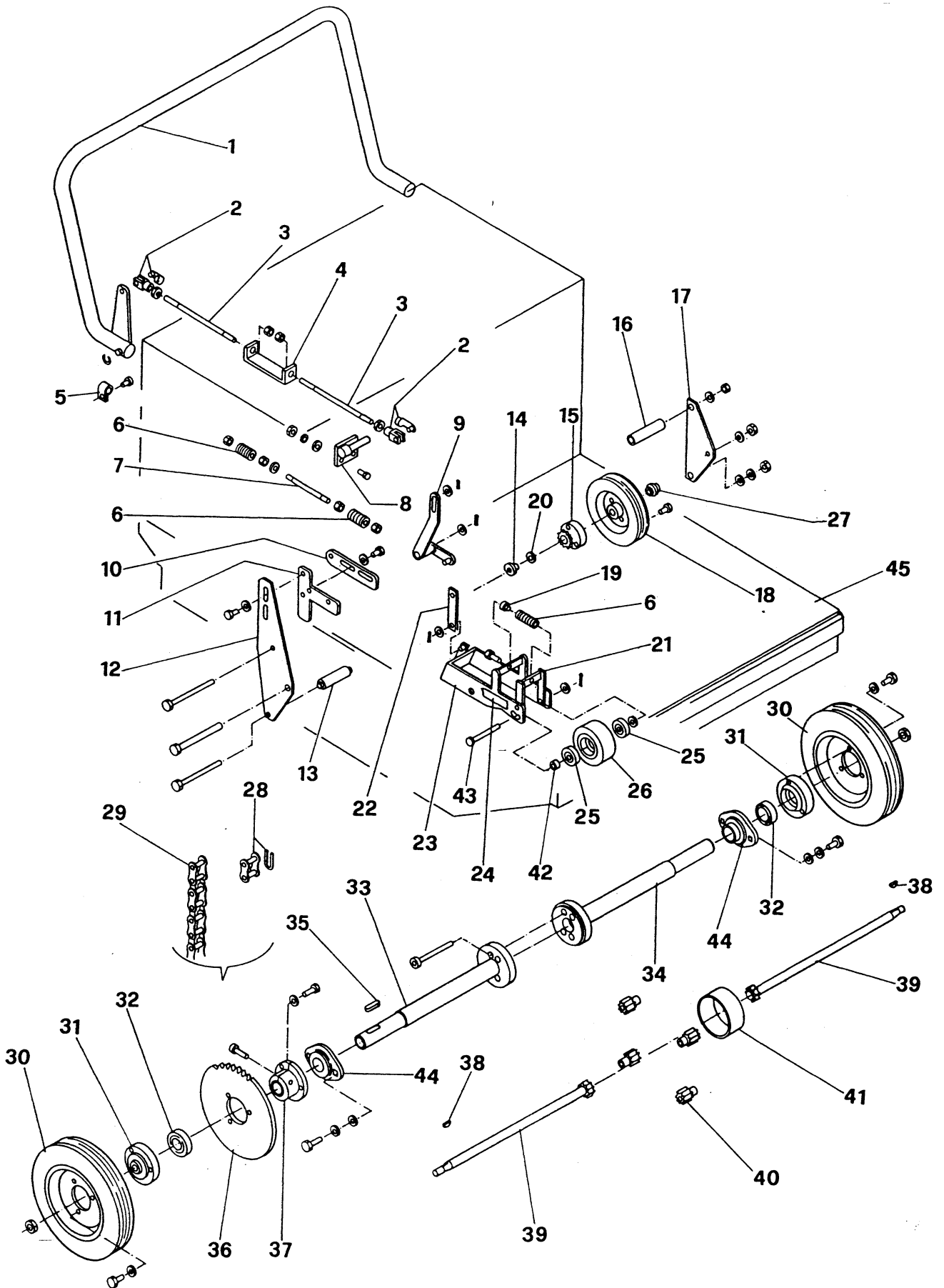


DIAGRAM 3

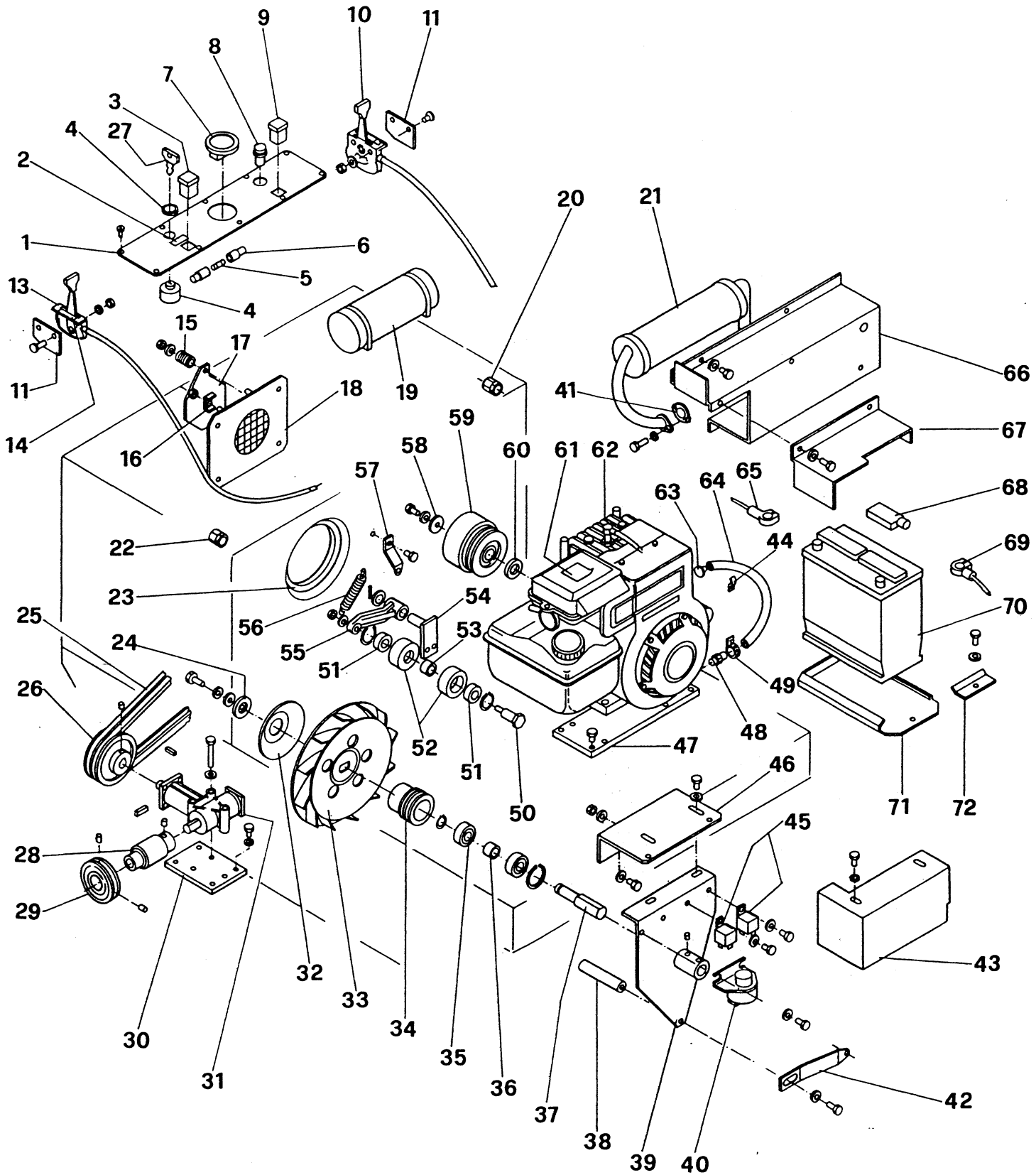
WS40

96/10/10

| Ref # | Part # | Description | Briggs & Stratton Qty | Electric Qty |
|-------|---------|------------------------|-----------------------|--------------|
| 1 | 1000534 | Handle | 1 | 1 |
| 2 | 1000555 | Lever | 1 | 1 |
| 3 | 1001003 | Adjuster | 1 | 1 |
| 4 | 1001000 | Wire - Flex Cable | 1 | 1 |
| 5 | 1000992 | Sheath | 1 | 1 |
| 6 | 1000020 | Right Support | 1 | 1 |
| 7 | 1000021 | Left Support | 1 | 1 |
| 8 | 1000883 | Decal | 1 | 1 |
| 9 | 1001023 | Lever | 1 | 1 |
| 10 | 1001022 | Clevis | 2 | 2 |
| 11 | 1000397 | Rod - Threaded | 1 | 1 |
| 12 | 1000947 | Spring | 1 | 1 |
| 13 | 1000134 | Bar | 1 | 1 |
| 14 | 1000289 | Pivot | 1 | 1 |
| 15 | 1000135 | Cover - Filter | 1 | 1 |
| 16 | 1000948 | Spring | 1 | 1 |
| 17 | 1000287 | Arm | 1 | 1 |
| 18 | 1000288 | Support | 1 | 1 |
| 19 | 1000606 | Bushing | 1 | 1 |
| 20 | 1000485 | Bushing - Locking | 1 | 1 |
| 21 | 1001226 | Key | 1 | 1 |
| 22 | 1000286 | Shaft | 1 | 1 |
| 23 | 1000396 | Knob | 1 | 1 |
| 24 | 1001003 | Adjuster | 1 | 1 |
| 25 | 1001001 | Clamp - Wire End | 1 | 1 |
| 26 | 1000554 | Brake block | 2 | 2 |
| 27 | 1001235 | Pin | 2 | 2 |
| 29 | 1000363 | Spacer | 1 | 1 |
| 30 | 1000360 | Shaft | 1 | 1 |
| 31 | 1000359 | Brake Block Arm | 1 | 1 |
| 32 | 1000939 | Spring | 1 | 1 |
| 33 | 1000401 | Spacer | 1 | 1 |
| 34 | 1000574 | Arm - Belt Tensioner | 1 | 1 |
| 35 | 1000605 | Wheel | 1 | 1 |
| 36 | 1000788 | Bearing | 1 | 1 |
| 37 | 1001205 | Retainer - Snap Ring | 1 | 1 |
| 38 | 1000816 | Belt | 1 | 1 |
| 39 | 1000786 | Bearing | 3 | 3 |
| 40 | 1000573 | Driver - Main Broom | 1 | 1 |
| 41 | 1000400 | Spacer | 1 | 1 |
| 42 | 1000918 | Main Brush | 1 | 1 |
| 43 | 1000572 | Idler | 1 | 1 |
| 44 | 1001201 | Retainer - Snap Ring | 1 | 1 |
| 45 | 1000024 | End Plate - Main Broom | 1 | 1 |
| 46 | 1000398 | Spacer | 1 | 1 |
| 47 | 1000075 | Plate | - | 1 |
| 48 | 1000842 | Caster | 1 | 1 |



| Ref # | Part # | Description | Briggs & Stratton Qty | Electric Qty |
|-------|---------|-------------------------------|-----------------------|--------------|
| 1 | 1000364 | Handle | 1 | 1 |
| 2 | 1001026 | Clevis | 2 | 2 |
| 3 | 1000393 | Rod | 2 | 2 |
| 4 | 1000032 | Bracket - Adjuster | 1 | 1 |
| 5 | 1001108 | Clamp | 1 | 1 |
| 6 | 1000946 | Spring | 3 | 3 |
| 7 | 1000394 | Rod - Threaded | 1 | 1 |
| 8 | 1000314 | Support | 1 | 1 |
| 9 | 1000315 | Lever | 1 | 1 |
| 10 | 1000179 | Plate | 1 | 1 |
| 11 | 1000061 | Plate - Adjuster | 1 | 1 |
| 12 | 1000022 | Right Support | 1 | 1 |
| 13 | 1000395 | Spacer | 1 | 1 |
| 14 | 1000437 | Bushing | 1 | 1 |
| 15 | 1000556 | Pinion Gear | 1 | 1 |
| 16 | 1000440 | Spacer | 1 | 1 |
| 17 | 1000132 | Left Support | 1 | 1 |
| 18 | 1000841 | Drive Wheel | 1 | 1 |
| 19 | 1000436 | Spacer | 1 | 1 |
| 20 | 1000438 | Washer | 1 | 1 |
| 21 | 1000181 | Bracket | 1 | 1 |
| 22 | 1000063 | Bar | - | 1 |
| 22 | 1000062 | Bar | 1 | - |
| 23 | 1000180 | Bracket | 1 | 1 |
| 24 | 1000894 | Decal | 1 | 1 |
| 25 | 1000798 | Bearing | 2 | 2 |
| 26 | 1000851 | Wheel | 1 | 1 |
| 27 | 1000439 | Spacer | 1 | 1 |
| 28 | 1000857 | Connector Link - Roller Chain | 1 | 1 |
| 29 | 1000854 | Chain - Roller | 1 | 1 |
| 30 | 1000849 | Wheel | 2 | 2 |
| 31 | 1000487 | Flange | 2 | 2 |
| 32 | 1000789 | Bearing | 2 | 2 |
| 33 | 1000544 | Tube with Flange RH | 1 | 1 |
| 34 | 1000546 | Tube with Flange LH | 1 | 1 |
| 35 | 1001220 | Key | 1 | 1 |
| 36 | 1000853 | Gear | 1 | 1 |
| 37 | 1000547 | Free Wheel Hub | 1 | 1 |
| 38 | 1001221 | Key | 2 | 2 |
| 39 | 1000543 | Half Axle | 2 | 2 |
| 40 | 1000545 | Gear | 4 | 4 |
| 41 | 1000406 | Ring | 1 | 1 |
| 42 | 1000435 | Spacer | 1 | 1 |
| 43 | 1000182 | Pivot Pin | 1 | 1 |
| 44 | 1000805 | Flange | 2 | 2 |
| 45 | 1000280 | Main Frame | 1 | 1 |



| Ref # | Part # | Description | Briggs & Stratton Qty | Electric Qty |
|-------|---------|---------------------------|-----------------------|--------------|
| 1 | 1000101 | Instruments Panel | 1 | - |
| 2 | 1000892 | Decal - On/Off | 1 | - |
| 3 | 1001158 | Generator Warn Light | 1 | - |
| 4 | 1001154 | Switch - Ignition | 1 | - |
| 5 | 1001092 | Fuse | 2 | - |
| 6 | 1001117 | Fuse Box | 2 | - |
| 7 | 1001136 | Hour Meter | 1 | - |
| 8 | 1001139 | Shaker Switch | 1 | - |
| 9 | 1001159 | Light - Shaker | 1 | - |
| 10 | 1000971 | Control Cable Assy. | 1 | - |
| 11 | 1000027 | Shim | 2 | - |
| 13 | 1000972 | Control Cable Assy. | 1 | - |
| 14 | 1000884 | Decal | 1 | - |
| 15 | 1000949 | Spring | 1 | - |
| 16 | 1000035 | Support | 1 | - |
| 17 | 1000034 | Closing | 1 | - |
| 18 | 1000141 | Cover - Fan Protection | 1 | - |
| 19 | 1001066 | Shaker Motor - 12V | 1 | - |
| 20 | 1001091 | Strain Relief | 1 | - |
| 21 | 1000933 | Muffler | 1 | - |
| 22 | 1001115 | Strain Relief | 1 | - |
| 23 | 1000710 | Washer | 1 | - |
| 24 | 1000382 | Washer | 1 | - |
| 25 | 1000815 | Belt | 2 | - |
| 26 | 1000584 | Pulley | 1 | - |
| 27 | 1001153 | Key Set - Ignition | 1 | - |
| 28 | 1000486 | Adapter - Shaft Extension | 1 | - |
| 29 | 1000587 | Pulley | 1 | - |
| 30 | 1000029 | Plate | 1 | - |
| 31 | 1000924 | Right Angle Drive | 1 | - |
| 32 | 1000609 | Disc - Fan Mount | 1 | - |
| 33 | 1000661 | Vacuum Fan | 1 | - |
| 34 | 1000501 | Pulley | 1 | - |
| 35 | 1000786 | Bearing | 2 | - |
| 36 | 1000403 | Spacer | 1 | - |
| 37 | 1000502 | Shaft | 1 | - |
| 38 | 1000404 | Spacer | 1 | - |
| 39 | 1000290 | Plate - Fan Mount | 1 | - |
| 40 | 1001146 | Switch - Solenoid | 1 | - |
| 41 | 1000934 | Gasket - Exhaust | 1 | - |
| 42 | 1000026 | Bar - Lower Support | 1 | - |
| 43 | 1000267 | Cover - Electrical | 1 | - |
| 44 | 1001017 | Clamp - Hose | 1 | - |
| 45 | 1001149 | Microswitch | 2 | - |
| 46 | 1000054 | Bracket | 1 | - |
| 47 | 1000025 | Plate - Engine Mount | 1 | - |
| 48 | 1000390 | Adapter - Hose Nipple | 1 | - |

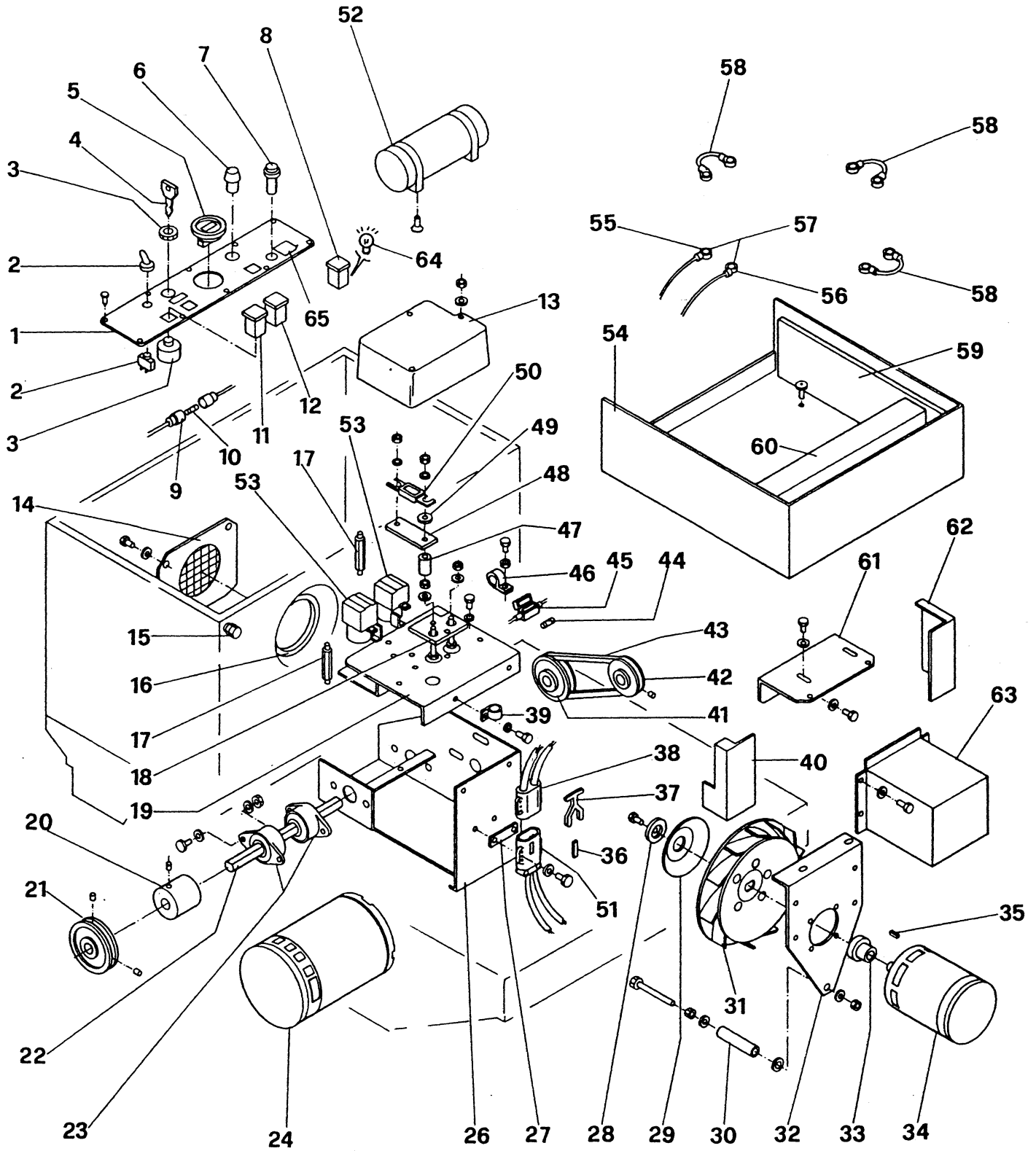
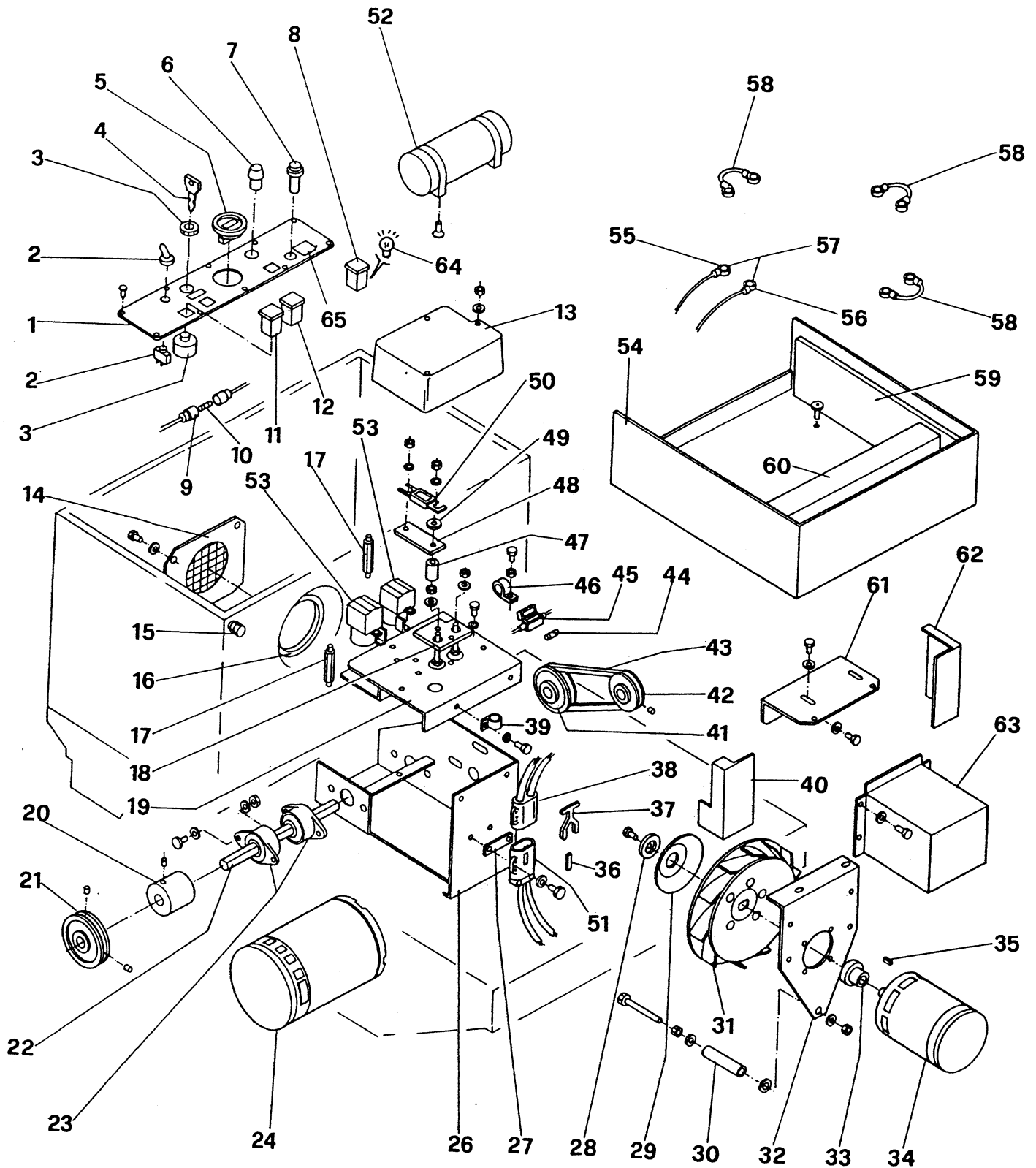


DIAGRAM 7

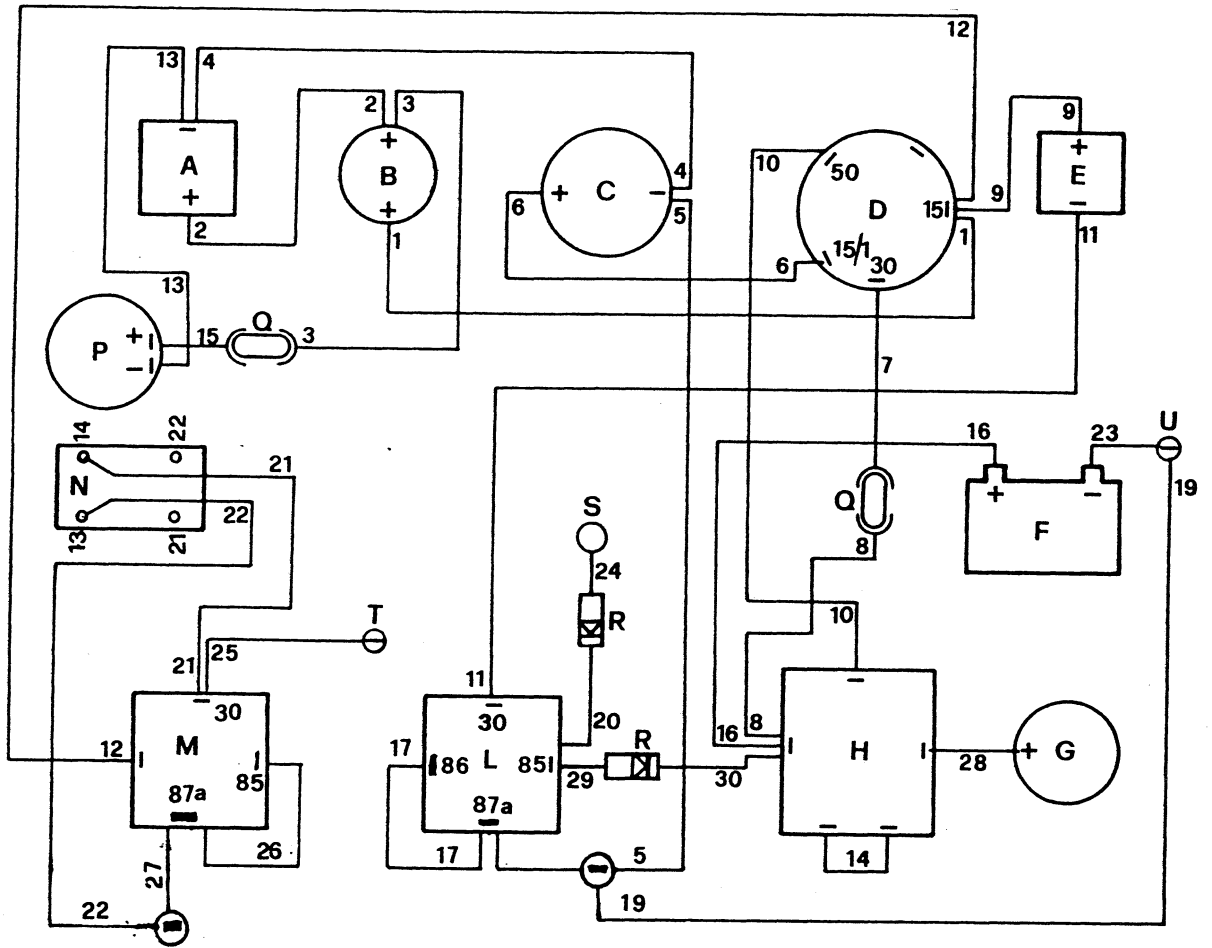
WS40

96/10/10

| | | | | |
|----|---------|-------------------------|---|---|
| 51 | 1001109 | Connector - Battery | - | 1 |
| 52 | 1001067 | Shaker Motor - 24V | - | 1 |
| 53 | 1001147 | Switch - Solenoid | - | 2 |
| 54 | 1000138 | Batteries Case | - | 1 |
| 55 | 1001130 | Battery Lead - Positive | - | 1 |
| 56 | 1001131 | Battery Lead - Negative | - | 1 |
| 57 | 1001086 | Battery | - | 1 |
| 58 | 1001086 | Battery | - | 1 |
| 59 | 1001025 | Spacer | - | 1 |
| 60 | 1001024 | Spacer | - | 1 |
| 61 | 1000054 | Bracket | 1 | - |
| 62 | 1000105 | Cover - Pulley | - | 1 |
| 63 | 1000109 | Cover - Housing | - | 1 |
| 64 | 1001164 | Bulb 24V | - | 3 |
| 65 | 1000900 | Decal - Battery Charge | - | 1 |

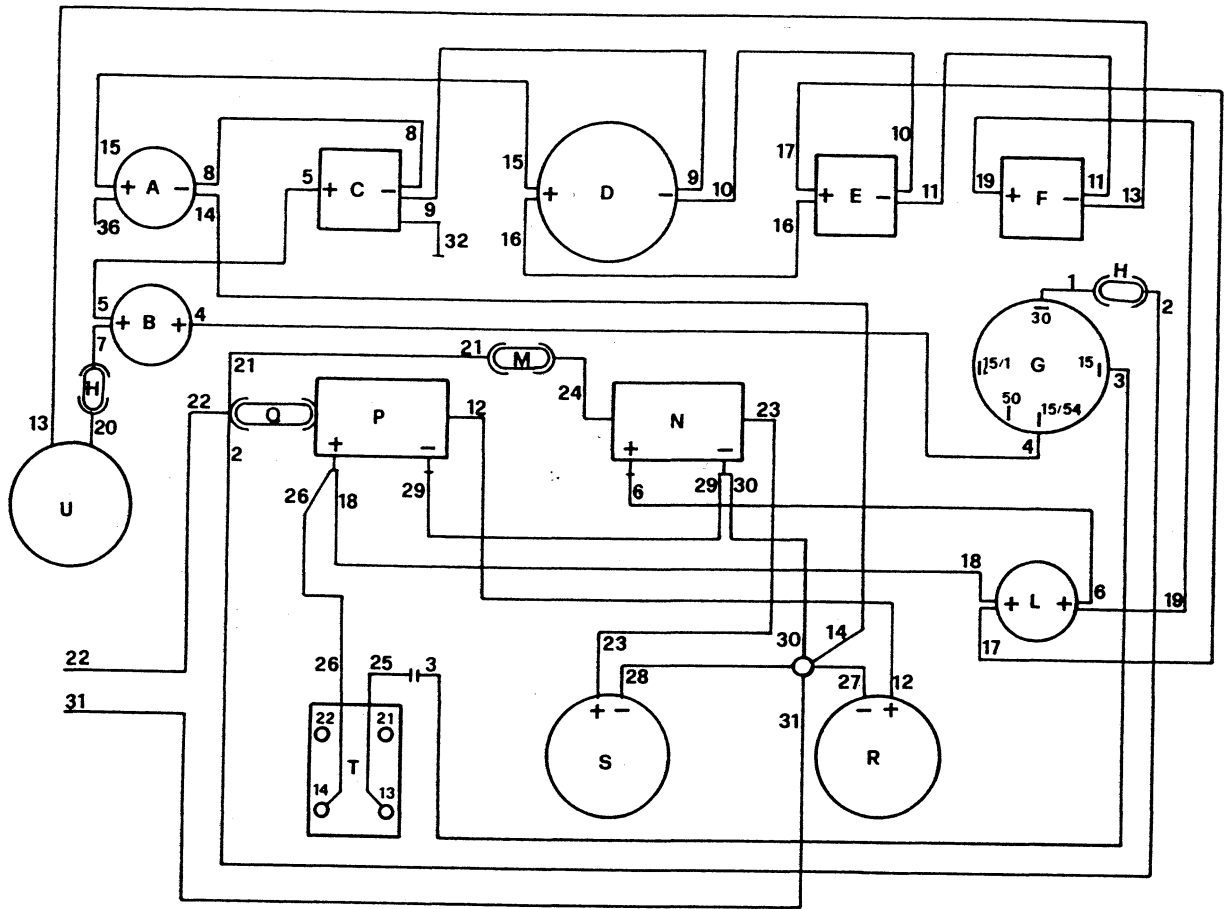


| Ref # | Part # | Description | Briggs & Stratton Qty | Electric Qty |
|-------|---------|----------------------------|-----------------------|--------------|
| 1 | 1000099 | Instruments Panel | - | 1 |
| 2 | 1001119 | Toggle Switch | - | 1 |
| 3 | 1001154 | Switch - Ignition | - | 1 |
| 4 | 1001153 | Key Set - Ignition | - | 1 |
| 5 | 1001136 | Hour Meter | - | 1 |
| 6 | 1001145 | Shaker Switch | - | 1 |
| 7 | 1001137 | Battery Charge Indicator | - | 1 |
| 8 | 1001160 | Shaker Warning Light | - | 1 |
| 9 | 1001117 | Fuse Box | - | 2 |
| 10 | 1001092 | Fuse | - | 2 |
| 11 | 1001161 | Main Brush Indicator Light | - | 1 |
| 12 | 1001162 | Vacuum Indicator Light | - | 1 |
| 13 | 1000644 | Cover - Electrical | - | 1 |
| 14 | 1000136 | Cover - Vacuum Screen | - | 1 |
| 15 | 1001115 | Strain Relief | - | 1 |
| 16 | 1000710 | Washer | 1 | - |
| 17 | 1000421 | Spacer | - | 3 |
| 18 | 1000767 | Bakelite Base | - | 1 |
| 19 | 1000104 | Electrical Panel | - | 1 |
| 20 | 1000491 | Advancing Roller | - | 1 |
| 21 | 1000582 | Pulley | - | 1 |
| 22 | 1000500 | Shaft | - | 1 |
| 23 | 1000804 | Support | - | 2 |
| 24 | 1001068 | Motor - Electric 24V | - | 1 |
| 26 | 1000137 | Bracket | - | 1 |
| 27 | 1000110 | Plate | - | 1 |
| 28 | 1000382 | Washer | - | 1 |
| 29 | 1000609 | Disc - Fan Mount | - | 1 |
| 30 | 1000405 | Spacer | - | 1 |
| 31 | 1000661 | Vacuum Fan | 1 | - |
| 32 | 1000028 | Fan Mount | - | 1 |
| 33 | 1000503 | Hub | - | 1 |
| 34 | 1001075 | Motor - Electric 24V | - | 1 |
| 35 | 1001219 | Key | - | 1 |
| 36 | 1001124 | Polarizer | - | 1 |
| 37 | 1001111 | Handle - Battery Connector | - | 1 |
| 38 | 1001110 | Connector - Battery | - | 1 |
| 39 | 1001125 | Clamp | - | 1 |
| 40 | 1000106 | Cover - Guard | - | 1 |
| 41 | 1000578 | Pulley | - | 1 |
| 42 | 1000585 | Pulley | - | 1 |
| 43 | 1000823 | Pulley | - | 1 |
| 44 | 1001129 | Fuse - 30A | - | 1 |
| 45 | 1001128 | Fuse-Box | - | 1 |
| 46 | 1000668 | Grommet | - | 1 |
| 47 | 1000475 | Spacer | - | 1 |
| 48 | 1000762 | Bakelite Base | - | 1 |
| 49 | 1000432 | Spacer | - | 1 |
| 50 | 1001099 | Fuse 50A | - | 1 |



WS 40 B&S

| WIRING DIAGRAM | |
|----------------|------------------------------|
| A | Vibrator warning light |
| B | Vibrator button |
| C | Hours counter |
| D | Switch |
| E | Dry charge battery indicator |
| F | Battery |
| G | Starter |
| H | Electromagnetic switch |
| L | Microswitch |
| M | Microswitch |
| N | Battery charge indicator |
| P | Vibrator |
| Q | Fuse 16A |
| R | Diode 3A |
| S | Outlet |
| T | Switching off |
| U | Engine base |



WS 40 E

| WIRING DIAGRAM | |
|----------------|--------------------------|
| A | Battery charge indicator |
| B | Vibrator button |
| C | Vibrator light |
| D | Hours counter |
| E | Light |
| F | Vacuum cleaner light |
| G | Switch |
| H | Fuse 30A |
| L | Vacuum switch |
| M | Fuse 30A |
| N | Vacuum Motor Relais |
| P | Main motor relais |
| Q | Fuse 50A |
| R | Main motor |
| S | Vaccum motor |
| T | Safety switch * |
| U | Shaker |

* OPTIONAL